



COLORED DIAMOND GRADING REPORT

January 19, 2012

Laser Inscription Registry **GIA 1146262877**
Shape and Cutting Style **Round Brilliant**
Measurements **6.42 - 6.46 x 3.94 mm**

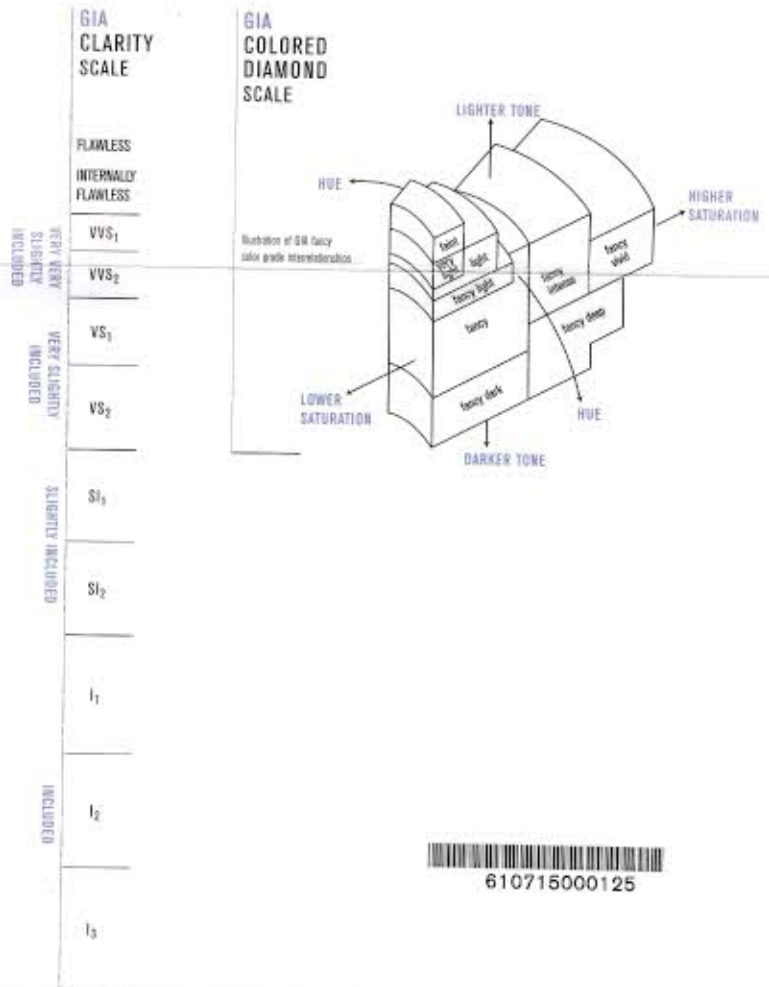
GRADING RESULTS

Carat Weight **1.00 carat**
Color **NATURAL**
Origin **FANCY DEEP BROWNISH YELLOW**
Distribution **Even**
Clarity Grade **SI1**

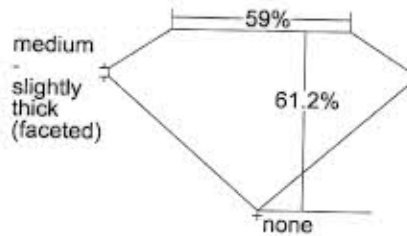
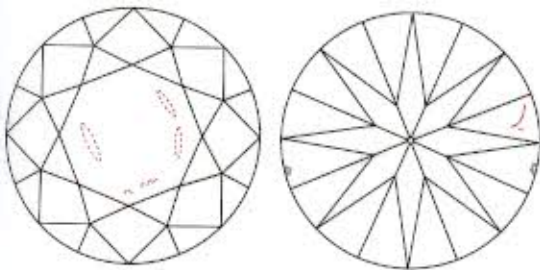
ADDITIONAL GRADING INFORMATION

Finish
Polish **Very Good**
Symmetry **Excellent**
Fluorescence **None**
Comments:
Additional clouds are not shown.

REFERENCE DIAGRAMS



610715000125



Profile not to actual proportions

KEY TO SYMBOLS

- Cloud
- ~ Feather
- ^ Indented Natural

Red symbols denote internal characteristics (inclusions). Green or black symbols denote external characteristics (blemishes). Diagram is an approximate representation of the diamond, and symbols shown indicate type, position, and approximate size of clarity characteristics. All clarity characteristics may not be shown. Details of finish are not shown.

This Report is not a guarantee, valuation or appraisal and contains only the characteristics of the diamond described herein after it has been graded, tested, examined and analyzed by the laboratory providing this Report ("GIA") and/or has been inscribed using the techniques and equipment used by GIA at the time of the examination and/or inscription. Inscriptions reported in this document are not a guarantee, validation, or warranty of a diamond's quality, country of origin or source, or that the diamond will be identifiable by the inscription in the future (since inscriptions can be removed). GIA makes no representation concerning any trademark, word, or symbol which is inscribed by GIA or which is identified as this Report. The recipient of this Report may wish to consult a credentialed jeweler or gemologist about the information contained herein.



IMPORTANT LIMITATIONS ON BACK
©2008 GEMOLOGICAL INSTITUTE OF AMERICA, INC.

GIA REPORT 1146262877