



COLORED DIAMOND IDENTIFICATION AND ORIGIN REPORT

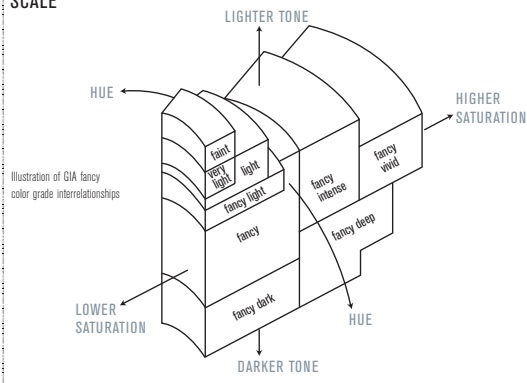
GIA REPORT 2155079833

November 19, 2012

Shape and Cutting Style ..... **Cut-Cornered Square Modified Brilliant**  
 Measurements ..... **2.98 x 2.94 x 2.03 mm**  
 Weight ..... **0.15 carat**  
 Color Grade  
 Origin ..... **NATURAL**  
 Grade ..... **FANCY INTENSE**  
 ..... **PURPLISH PINK**  
 Distribution ..... **EVEN**

Comments:  
None

GIA  
COLORED  
DIAMOND  
SCALE



110218095146

This is a digital representation of the original GIA Report. To verify the information herein, please refer to [reportscheck.gia.edu](http://reportscheck.gia.edu). This Report is not a guarantee, valuation or appraisal and contains only the characteristics of the diamond described herein after it has been graded, tested, examined and analyzed by the laboratory providing this Report ("GIA") and/or has been inscribed using the techniques and equipment used by GIA at the time of the examination and/or inscription. Inscriptions reported in this document are not a guarantee, validation, or warranty of a diamond's quality, country of origin or source; or that the diamond will be identifiable by the inscription in the future (since inscriptions can be removed). GIA makes no representation concerning any trademark, word, or symbol which is inscribed by GIA or which is identified on this Report. The recipient of this Report may wish to consult a credentialed jeweler or gemologist about the information contained herein.

For terms, conditions, and limitations, see [www.gia.edu/terms](http://www.gia.edu/terms) or call 800-421-7250 or 760-603-4500.