



COLORED DIAMOND IDENTIFICATION AND ORIGIN REPORT

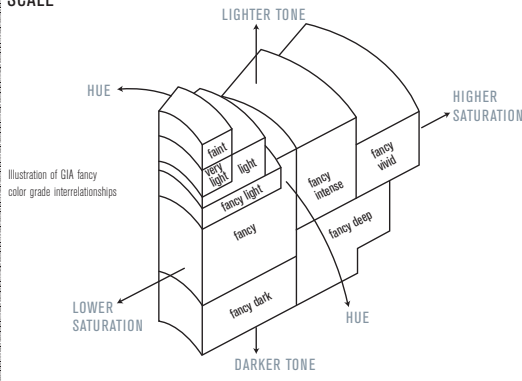
GIA REPORT 1146041502

November 18, 2011

Shape and Cutting Style **Cut-Cornered Square Modified Brilliant**
Measurements **2.32 x 2.23 x 1.71 mm**
Weight **0.08 carat**
Color Grade
Origin **NATURAL**
Grade **FANCY VIVID**
..... **PURPLISH PINK**
Distribution **EVEN**

Comments:
None

GIA
COLORED
DIAMOND
SCALE



610713945140

This is a digital representation of the original GIA Report. To verify the information herein, please refer to reportscheck.gia.edu. This Report is not a guarantee, valuation or appraisal and contains only the characteristics of the diamond described herein after it has been graded, tested, examined and analyzed by the laboratory providing this Report ("GIA") and/or has been inscribed using the techniques and equipment used by GIA at the time of the examination and/or inscription. Inscriptions reported in this document are not a guarantee, validation, or warranty of a diamond's quality, country of origin or source; or that the diamond will be identifiable by the inscription in the future (since inscriptions can be removed). GIA makes no representation concerning any trademark, word, or symbol which is inscribed by GIA or which is identified on this Report. The recipient of this Report may wish to consult a credentialed jeweler or gemologist about the information contained herein.

For terms, conditions, and limitations, see www.gia.edu/terms or call 800-421-7250 or 760-603-4500.

